



Description

PT 2272 is a remote control decoder paired with PT 2262 utilizing CMOS Technology. It has 12 bits of tri-state address pins providing a maximum of 531,441 (or 3^{12}) address codes; thereby, drastically reducing any code collision and unauthorized code scanning possibilities. PT 2272 is available in several options to suit every application need : variable number of data output pins, latch or momentary output type.

Features

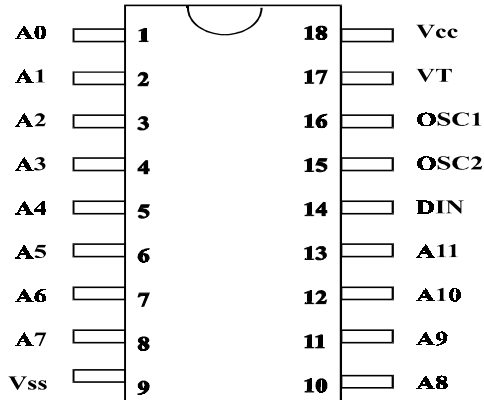
- CMOS Technology
- Low Power Consumption
- Very High Noise Immunity
- Up to 12 Tri-State Code Address Pins
- Up to 6 Data Pins
- Wide Range of Operating Voltage: $V_{cc} = 4 \sim 15$ Volts
- Single Resistor Oscillator
- Latch or Momentary Output Type
- Available in DIP and SO Package

Applications

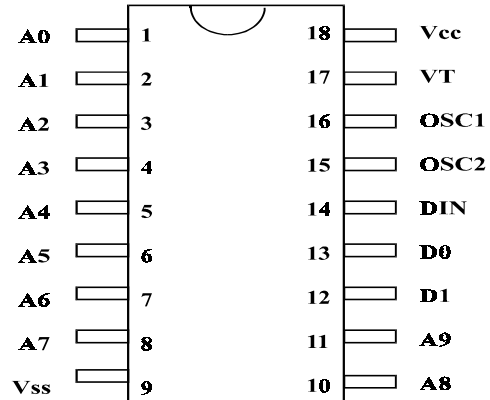
- Car Security System
- Garage Door Controller
- Remote Control Fan
- Home Security/Automation System
- Remote Control Toys
- Remote Control for Industrial Use



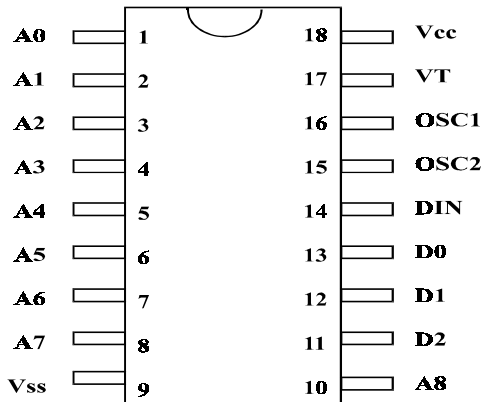
Pin Configuration



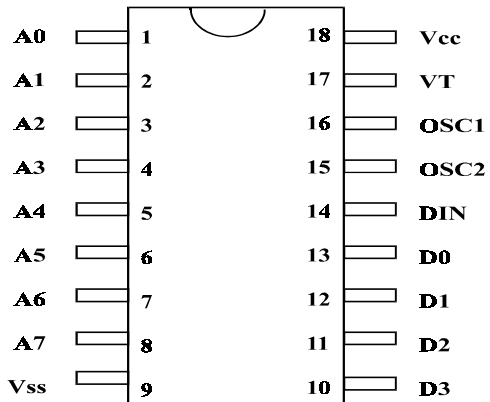
PT 2272



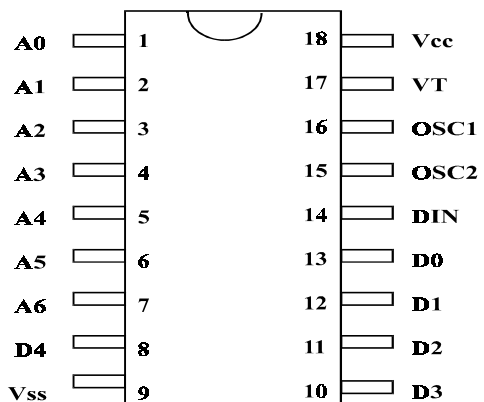
PT 2272A - M2/L2



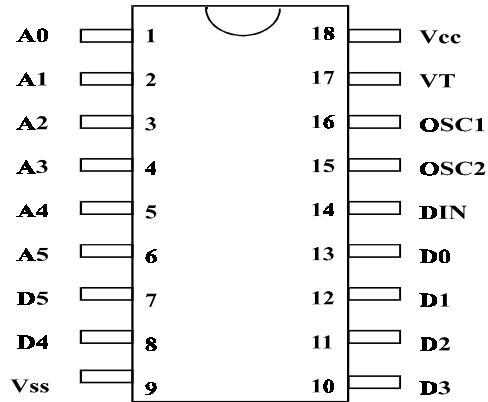
PT 2272 - M3/L3



PT 2272 - M4/L4



PT 2272 - M5/L5

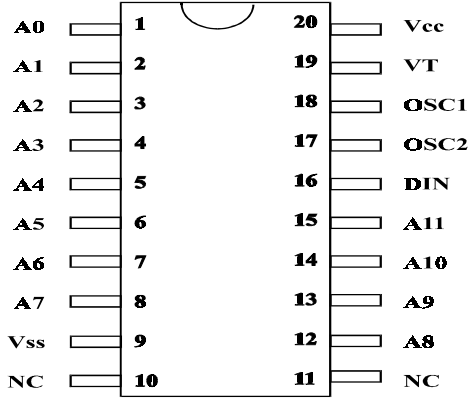


PT 2272 - M6/L6

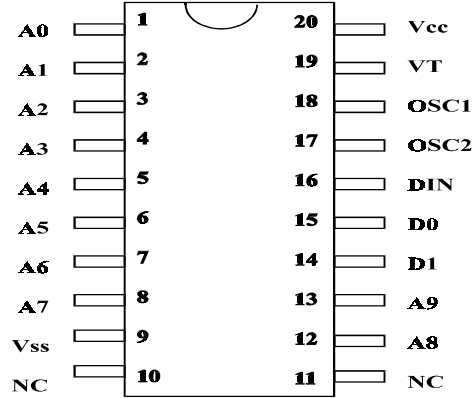


Remote Control Decoder

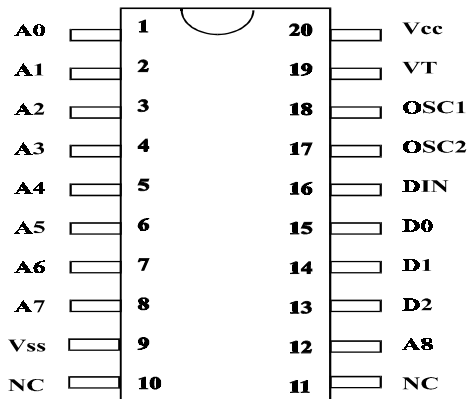
PT 2272



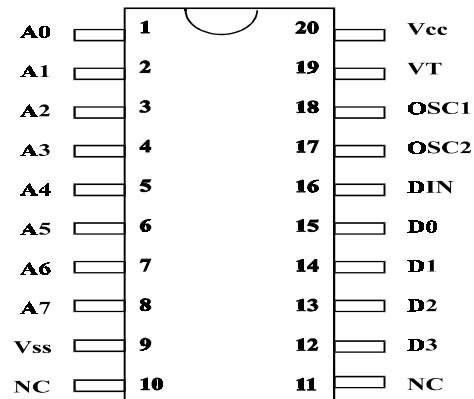
PT 2272 (20 Pins)



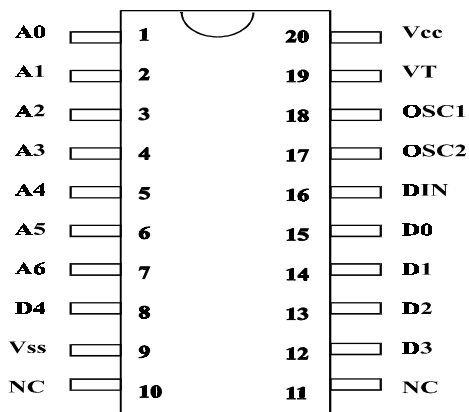
PT 2272A - M2/L2 (20 Pins)



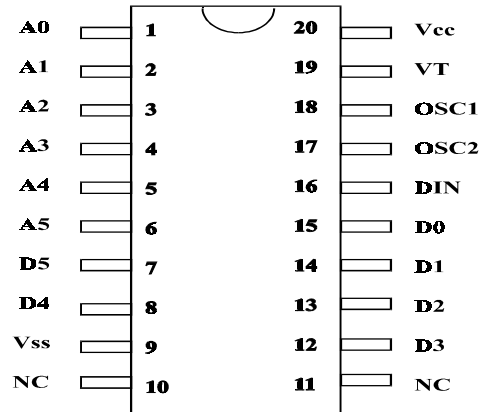
PT 2272 - M3/L3 (20 Pins)



PT 2272 - M4/L4 (20 Pins)



PT 2272 - M5/L5 (20 Pins)

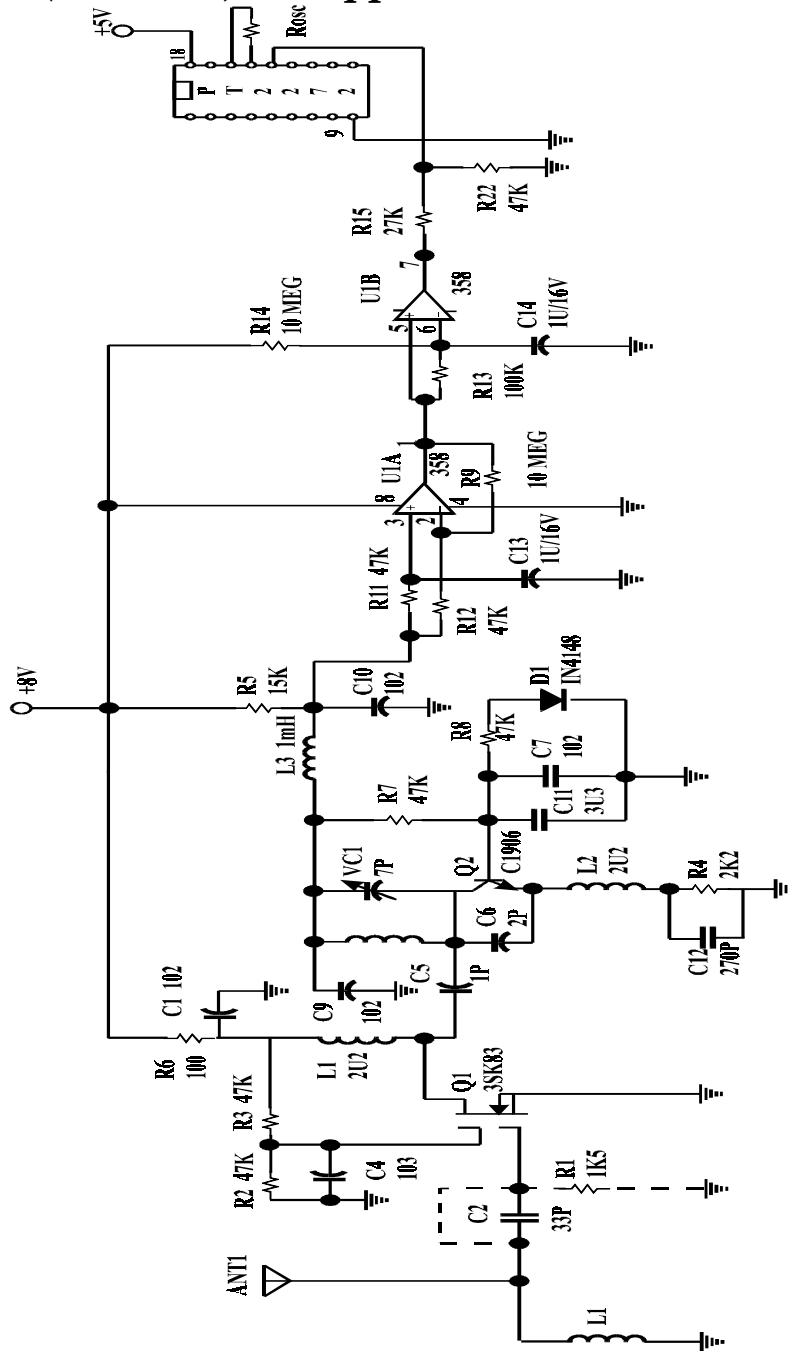


PT 2272 - M6/L6 (20 Pins)



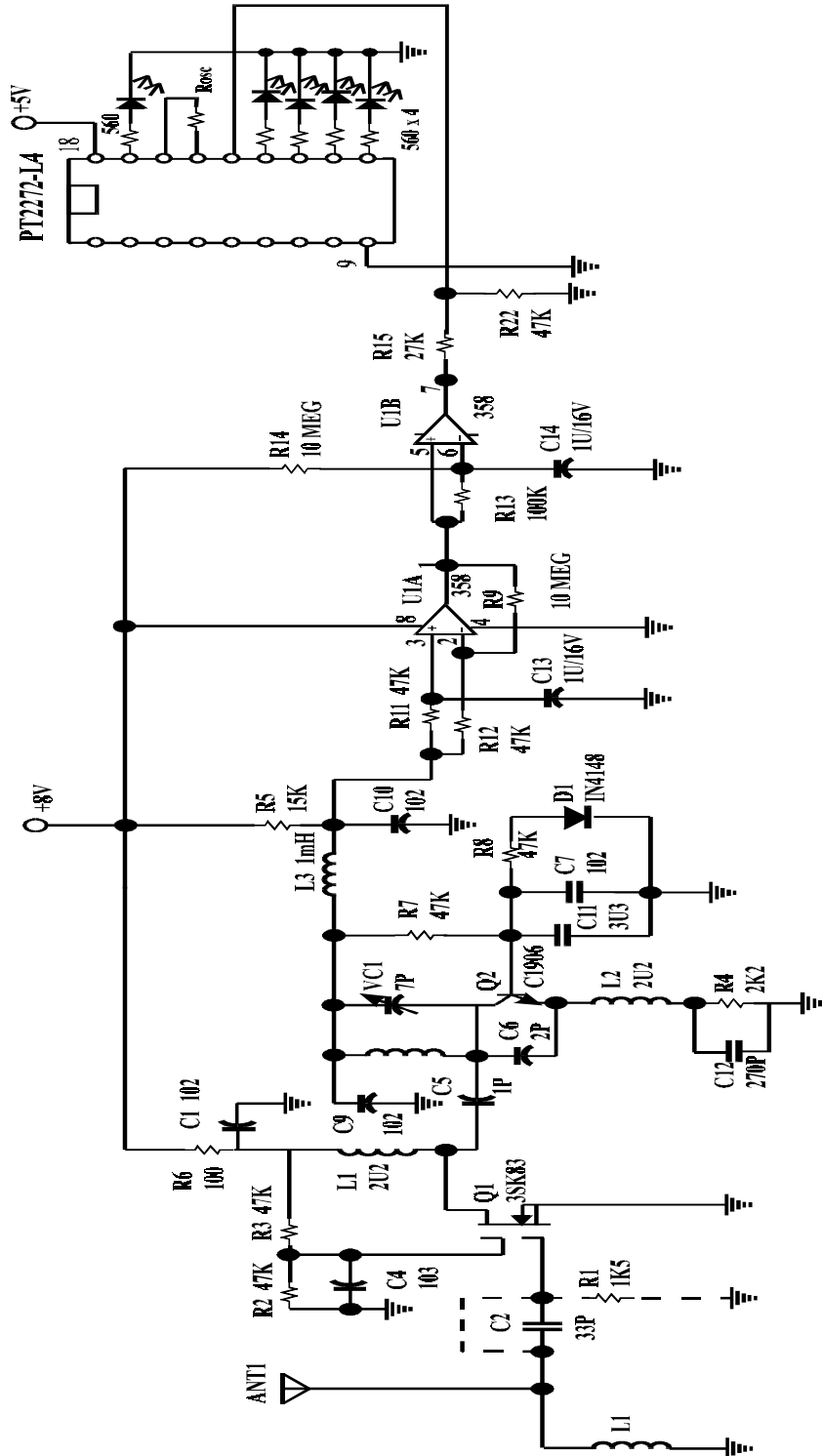
Application Circuits

PT2272 (No Data)RF Application



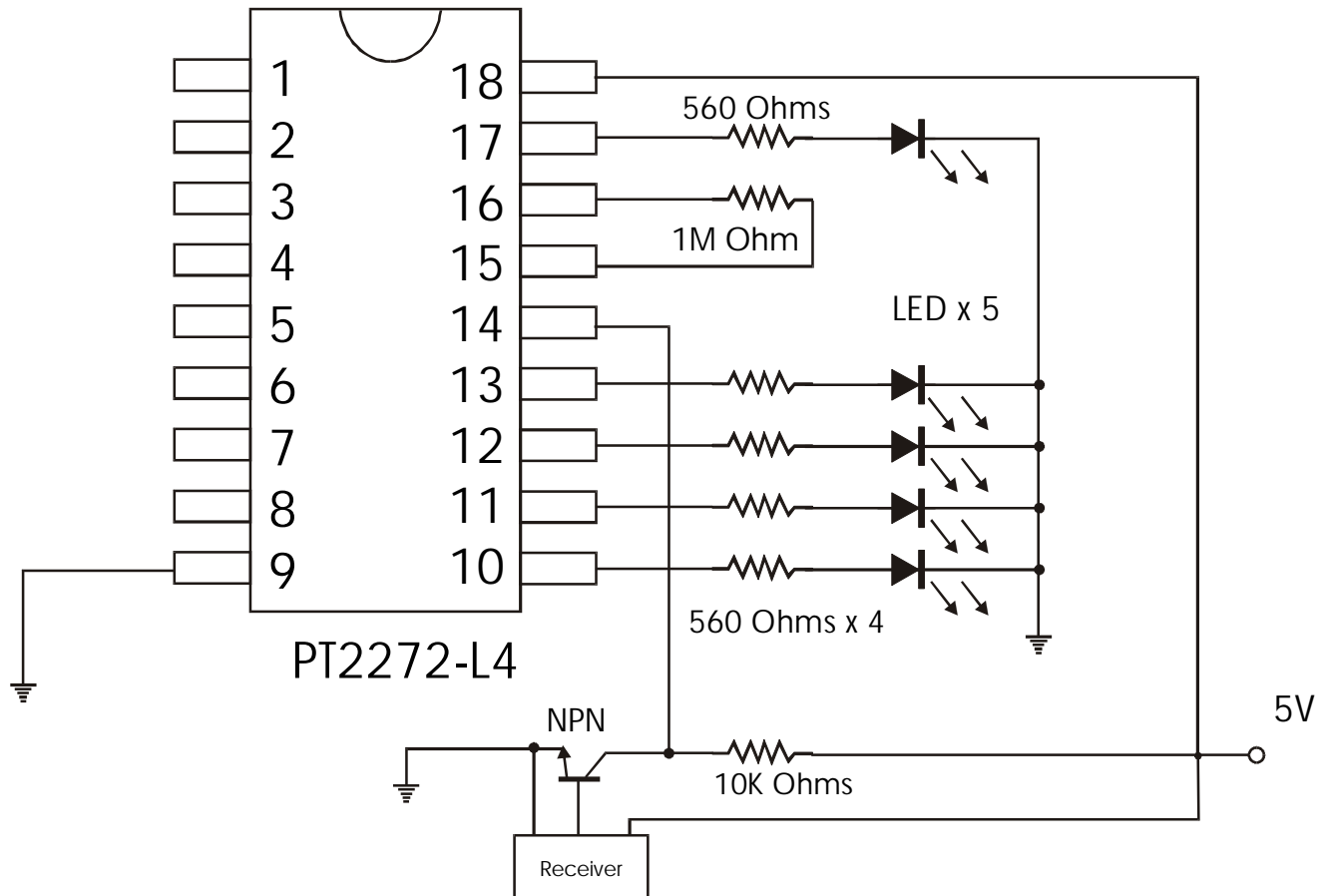


PT2272 (4 Data) RF Application Circuit





PT2272 (4 Data) IR Application Circuit





Ordering Information

A. 18-Pin Package:

| Part No. | Data Bit(s) | Output Type | Package |
|-------------------|-------------|-------------|----------|
| PT2272 (-S18) | None | * | DIP (SO) |
| PT2272A-L2 (-S18) | 2 | Latch | DIP (SO) |
| PT2272A-M2 (-S18) | 2 | Momentary | DIP (SO) |
| PT2272-L3 (-S18) | 3 | Latch | DIP (SO) |
| PT2272-M3 (-S18) | 3 | Momentary | DIP (SO) |
| PT2272-L4 (-S18) | 4 | Latch | DIP (SO) |
| PT2272-M4 (-S18) | 4 | Momentary | DIP (SO) |
| PT2272-L5 (-S18) | 5 | Latch | DIP (SO) |
| PT2272-M5 (-S18) | 5 | Momentary | DIP (SO) |
| PT2272-L6 (-S18) | 6 | Latch | DIP (SO) |
| PT2272-M6 (-S18) | 6 | Momentary | DIP (SO) |

B. 20-Pin Package

| Part No. | Data Bit(s) | Output Type | Package |
|-------------|-------------|-------------|---------|
| PT2272-S | None | * | SO |
| PT2272A-L2S | 2 | Latch | SO |
| PT2272A-M2S | 2 | Momentary | SO |
| PT2272-L3S | 3 | Latch | SO |
| PT2272-M3S | 3 | Momentary | SO |
| PT2272-L4S | 4 | Latch | SO |
| PT2272-M4S | 4 | Momentary | SO |
| PT2272-L5S | 5 | Latch | SO |
| PT2272-M5S | 5 | Momentary | SO |
| PT2272-L6S | 6 | Latch | SO |
| PT2272-M6S | 6 | Momentary | SO |

Note: * = use VT (Valid Transmission)



PT 2272 X - X X X

